

GB User and maintenance manual


Whirlpool

IMPORTANT SAFETY INSTRUCTIONS

These instructions are also available on the website: docs.whirlpool.eu

YOUR SAFETY AND THAT OF OTHERS IS HIGHLY IMPORTANT.

This manual and the appliance itself provide important safety warnings, to be read and observed at all times.


 This is the attention symbol, pertaining to safety, which alerts users to potential risks to themselves and others.

All safety warnings are preceded by the attention symbol and the following terms:

 **DANGER:** indicates a hazardous situation which, if not avoided, will cause serious injury.

 **WARNING:** indicates a hazardous situation which, if not avoided, could cause serious injury.

All safety warnings specify the potential danger/warning to which they refer and indicate how to reduce the risk of injury, damage and electrical shock resulting from incorrect use of the appliance. Comply with the following instructions:

- Installation or maintenance must be carried out by a specialized technician, in compliance with the manufacturer's instructions and local safety regulations. Do not repair or replace any part of the appliance unless specifically requested in the user manual.
- The appliance must be disconnected from the power supply before carrying out any installation work.
- Earthing of the appliance is compulsory. (Not necessary for class II hoods identified by the  symbol on the specifications label).
- The power supply cable must be long enough to permit connecting the appliance to the mains socket outlet.
- Do not pull the power supply cable in order to unplug the appliance.
- The electrical components must no longer be accessible to the user after installation.
- Do not touch the appliance with any wet part of the body and do not operate it when barefoot.
- This appliance may be used by children older than 8 years of age and by persons with reduced physical, sensory or mental capacities or with inadequate experience and knowledge only if they are supervised or if they have been taught how to use the appliance in conditions of safety and if they are aware of the dangers involved. Children must not play with the appliance. Cleaning and maintenance must not be carried out by children, unless they are supervised by adults.
- For lamp replacement use only lamp type indicated in the Maintenance/ Replacing lamps section of this manual.
- Do not repair or replace any part of the appliance unless specifically indicated in the manual. Defective parts must be replaced using genuine parts. All other maintenance services must be carried out by a specialized technician.
- Children must be supervised to ensure they do not play with the appliance.

- When drilling through a wall or the ceiling, pay attention not to damage electric connections and/or pipes.
- The ventilation ducts must always discharge to the outside.
- Exhaust air must not be vented through a flue used for removal of fumes produced by appliances burning gas or other fuels, but must have a separate outlet. All national regulations governing extraction of fumes must be observed.
- If the hood is used together with other appliances operating on gas or other fuels, the negative pressure in the room must not exceed 4 Pa (4×10^{-5} bar). For this reason, make sure the room is adequately ventilated.
- The Manufacturer declines any liability for improper use or incorrect setting of the controls.
- Regular cleaning and maintenance is essential to correct functioning and good performance of the appliance. Frequently clean all encrustations from dirty surfaces to prevent the accumulation of grease.
- Regularly clean or replace the filters.
- Never flame cook food (flambé) under the appliance. Using free flames might cause fire.
- Do not leave frying pans unattended when frying, as the frying oil may catch fire.
- Failure to observe the instructions for cleaning the hood and replacing the filters may result in a fire.
- The fume extractor hood must never be opened without the grease filters installed and it should be kept under constant supervision.
- Gas appliances must be used under the extractor hood only with pans resting.
- When using more than three gas cooking points, the hood should be operating at power level 2 or greater. This will eliminate heat congestion in the appliance.
- Before touching the bulbs, first ensure that they are cold.
- Do not use or leave the hood without its lamps correctly installed - risk of electric shock.
- Wear work gloves for all installation and maintenance operations.
- The product is not suitable for outdoor use.
- When the hob is in use, accessible parts of the hood may become hot.
- For lamp replacement use only lamp type indicated in the Maintenance/ Replacing lamps section of this manual

KEEP THIS BOOKLET FOR FUTURE CONSULTATION

Declaration of Conformity **CE**

- This appliance has been designed, manufactured and marketed in compliance with:
 - safety objectives of the "Low Voltage" Directive 2014/35/EU;
 - the ecodesign requirements of european regulations n. 66/2014, n. 327/2011, n. 244/2009, n. 245/2009, n. 1194/2012, n. 2015/1428;
 - the protection requirements of Directive "EMC" 2014/30/EU.

Electrical safety of the appliance can only be guaranteed if it is correctly connected to an approved earthing system.

Energy saving tips

- Switch ON the hood at minimum speed when you start cooking and kept it running for few minutes after cooking is finished.
- Increase the speed only in case of large amount of smoke and vapour and use boost speed(s) only in extreme situations.
- Replace the charcoal filter(s) when necessary to maintain a good odour reduction efficiency.
- Clean the grease filter(s) when necessary to maintain a good grease filter efficiency.
- Use the maximum diameter of the ducting system indicated in this manual to optimize efficiency and minimize noise.

INSTALLATION

After unpacking the appliance, check for any transport damage. In the event of problems, contact the dealer or your nearest After-sales Service. To prevent any damage, only remove the appliance from its polystyrene foam packaging at the time of installation.

PREPARING FOR INSTALLATION



WARNING:

this is a heavy product; the hood should only be lifted and installed by two or more people.

The minimum distance between the support of the cooking pans on top of the cooker and the bottom of the hood must not be less than 50 cm for electric cookers and 65 cm for gas or mixed cookers. Before installation also check the minimum distances stated in the manual of the cooker.

If the installation instructions for the cooker specify a greater distance between cooker and hood, this distance must be observed.

ELECTRICAL CONNECTION


Make sure the power voltage specified on the appliance rating plate is the same as the mains voltage.

This information may be found on the inside of the hood, under the grease filter.

Power cable replacement (type H05 VV-F 3 x 0,75 mm²) must be carried out by a qualified electrician. Contact an authorized service centre.

If the hood is fitted with an electric plug, connect the plug to a socket complying with current regulations, located in an accessible place after installation. If no plug is fitted (direct wiring to the mains), or if the socket is not located in an accessible place, install a standardised double pole power switch that will enable complete isolation from the mains in case of category III overvoltage conditions, in accordance with installation rules.

If the cable is not fitted with a plug, connect the wires according to the following table:

Mains voltage and frequency	Wire connection
220-240 V 50-60 Hz	 : yellow/green N : blue L : brown

GENERAL RECOMMENDATIONS

Before use

Remove cardboard protection pieces, protective film and adhesive labels from accessories. Check the appliance for any transport damage.

Use only the fixing screws supplied with the product for installation or, if not supplied, purchase the correct screws type.

Use the correct length for the screws which are identified in the Installation Guide.

In case of doubt, consult an authorised service assistance centre or similar qualified person.

The hood can look different to that illustrated in the drawings in this booklet. The instructions for use, maintenance and installation, however, remain the same.


! Do not carry out electrical or mechanical variations on the product or on the discharge conduits.

During use

To avoid any damage do not place any weights on the appliance. Do not expose the appliance to atmospheric agents.


SAFEGUARDING THE ENVIRONMENT

Disposing of packing

The packing material is 100% recyclable and is marked with the recycle symbol . The various parts of the packing must therefore be disposed of responsibly and in full compliance with local authority regulations governing waste disposal.

Scrapping the product

- This appliance is marked in compliance with European Directive 2012/19/EU, Waste Electrical and Electronic Equipment (WEEE).
- By ensuring this product is disposed of correctly, you will help prevent potential negative consequences for the environment and human health, which could otherwise be caused by inappropriate waste handling of this product.

- The symbol  on the product or on the accompanying documentation indicates that it should not be treated as domestic waste but must be taken to an appropriate collection centre for the recycling of electrical and electronic equipment.

Scrapping of household appliances

- This appliance is manufactured with recyclable or reusable materials. Dispose of it in accordance with local waste disposal regulations. Before scrapping, cut off the power supply cable.
- For further information on the treatment, recovery and recycling of household electrical appliances, contact your competent local authority, the collection service for household waste or the store where you purchased the appliance.

TROUBLESHOOTING GUIDE

The appliance does not work:

- Check for the presence of mains electrical power and if the appliance is connected to the electrical supply;
- Turn off the appliance and restart it to see if the fault persists.

The hood's suction level is not sufficient:

- Check the suction speed and adjust as necessary;
- Check that the filters are clean;
- Check the air vents for any obstructions.

The light does not work:

- Check the light bulb and replace if necessary;
- Check that the light bulb has been correctly fitted.

AFTER-SALES SERVICE

Before calling the After-sales Service:

1. See if you can solve the problem yourself with the help of the suggestions given in the "Troubleshooting guide".
2. Switch the appliance off and back on again it to see if the fault persists.

If after the above checks the fault still occurs, get in touch with the nearest After-Sales Service.

Always specify:

- A brief description of the fault;
- The exact type and model of the appliance;
- The service number (number after the word "Service" on the rating plate), located on the inside of the appliance. The service number is also indicated on the guarantee booklet;
- Your full address;
- Your telephone number.

SERVICE 0000 000 00000



If any repairs are required, please contact an **authorised After-sales Service** (to guarantee that original spare parts will be used and repairs carried out correctly).

CLEANING

-  **WARNING:** - Never use steam cleaning equipment.
- Disconnect the appliance from the power supply.

IMPORTANT: do not use corrosive or abrasive detergents. If any of these products accidentally comes into contact with the appliance, clean immediately with a damp cloth.

- Clean the surfaces with a damp cloth. If it is very dirty, add a few drops of washing up detergent to the water. Finish off with a dry cloth.

IMPORTANT: do not use abrasive sponges or metallic scrapers or scourers. Over time, these can ruin the enamel surface.

- Use detergents specifically designed for cleaning the appliance and follow the manufacturer instructions..

IMPORTANT: clean the filters at least monthly to remove any oil or grease residuals.

MAINTENANCE

- WARNING:**
- use safety gloves.
 - disconnect the appliance from the mains power supply.

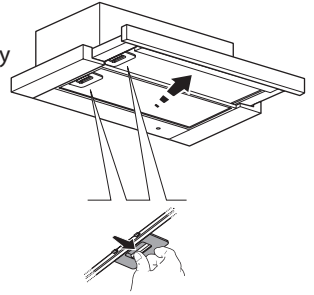
GREASE FILTERS

The metal grease filter has an unlimited life and should be cleaned once a month by hand or in a dishwasher at low temperature and with a short cycle. Cleaning in a dishwasher may cause discoloring of the grease filter, but its filtering efficiency is unaffected.

Pull out the steam deflector.

Pull out the handle to remove the filter.

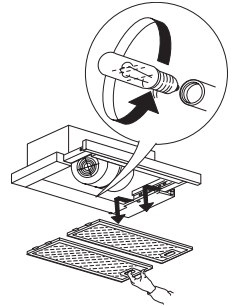
Wash the filter and leave it to dry, proceeding in reverse order to refit..



REPLACING LAMPS

IMPORTANT: check the type of lamp is suitable for your particular model of appliance. Replace the lamp with an identical one as indicated on the specifications label or next to the lamp itself, on the hood.

1. Disconnect the hood from the household power supply.
2. Open the steam deflector and remove the metal grease filters.
3. Remove the burnt-out lamp and fit a new one.
Use E14 2,5W max LED lamps only. For more details, check enclosed leaflet "ILCOS D" (alphanumeric position "1e").
4. Refit the metal grease filters.



CARBON FILTER (filter hoods only)

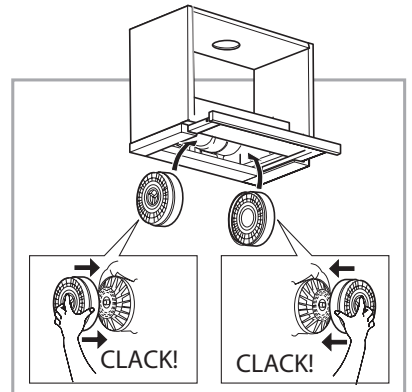
It captures and neutralizes unwanted cooking odours.
Change the carbon filter every 4 months.

Fitting or replacing the carbon filter

1. Pull out the steam deflector.
2. Remove all the grease filters (refer to the section "grease filters").
3. Fit the carbon filter so that it covers the motor grille and turn clockwise to lock it in place.

Note: Proceed in reverse order to remove.

Proceed in reverse order to refit the grease filters in place



MATERIALS SUPPLIED

Remove all the components from the packets. Check that all the components are included.

- Hood assembled with motor, lamps and grease filters installed.
- Instructions for assembly and use
- 1 power supply cable
- 1 allen key
- 1 cable clamp
- 2 brackets for steam deflector slideout stroke adjustment
- 3 screws 3.5x9.5
- 4 screws 4.2x35
- 1 check valve for fumes

INSTALLATION – PRELIMINARY ASSEMBLY INSTRUCTIONS

The hood is designed for installation and use in “Extractor Version” or in “Filter Version”.

Extractor Version

Fumes are extracted and expelled to the outside through an exhaust pipe (not supplied) fixed to the hood exhaust pipe connector.

Depending on the exhaust pipe purchased, provide for suitable fixing to the exhaust pipe connector.

IMPORTANT: If already installed, remove the carbon filter/s.

Filter Version

Air is filtered through the carbon filter/s and recycled into the surrounding environment.

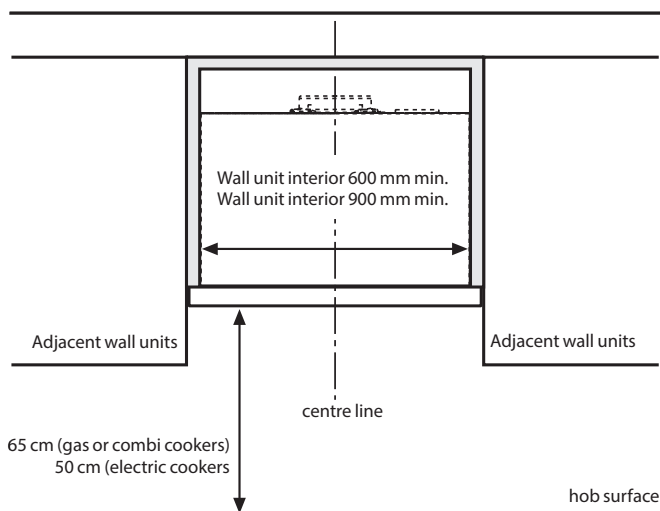
IMPORTANT: Check that air recirculation is ensured.

If the hood does not have the carbon filter/s, order one/them and fit before use.

Install the hood away from very dirty areas, windows, doors and heat sources.

The hood comes with all the materials necessary for installation on the majority of walls/ceilings. However, a qualified technician must ensure that the materials are suitable according to the type of wall/ceiling.

INSTALLATION DIMENSIONS



This type of hood must be installed inside a wall unit or similar support.

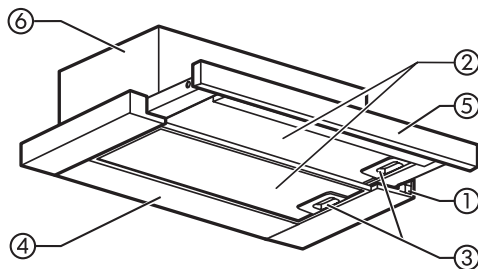
INSTALLATION – ASSEMBLY INSTRUCTIONS

The instructions below, to be carried out in the order in which they are numbered, refer to the figures (with the same step numbers) given on the last pages of this manual.

1. **Position the wall unit shelf at a height of 14 cm from the bottom.**
 - 2-3-4. Position the drilling template on the bottom of the shelf, drill the 4 Ø 5mm side holes and prepare the central opening for the air vent.
 5. Fit the check valve for fumes to the hood's fumes outlet.
 6. Feed through the power supply cable and secure the cable clamp (using n.1 screw 3.5x9.5).
 7. **For the upper outlet:** drill the top of the wall unit, taking into account the position of the outlet hole.
 8. **For rear outlet:** drill the back of the wall unit at the desired height.
 9. Secure the hood to the wall unit using the 4 screws 4.2x35.
 10. Open the steam deflector and remove the metal grease filters.
 11. Adjust the slideout stroke of the deflector by installing the two brackets provided; fix them using the 2 screws 3.5x9.5.
 - 12-13. Fit ducting for the venting of fumes, connecting it to the connector ring (for the Filter version, a small section of ducting that reaches the top of the wall unit will suffice)
- NB:** the ducting is not included in the pack and must be purchased separately.
12. **For filter version only:** fit the carbon filter (refer to instructions in the section MAINTENANCE-Carbon Filter).
 13. Refit the metal grease filters.

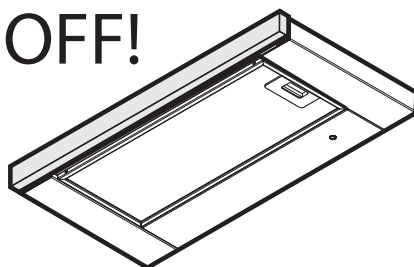
DESCRIPTION AND USE OF THE HOOD

1. Control panel
2. Grease filter
3. Grease filter spring release handles
4. Lighting
5. Pull-out steam deflector
6. Extractor unit body

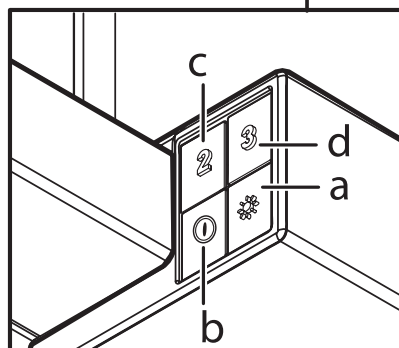
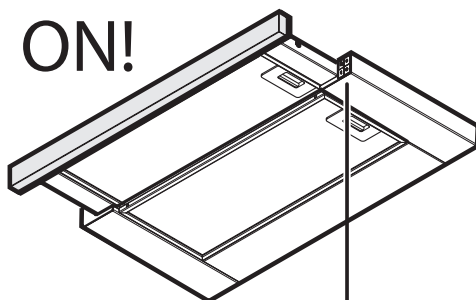


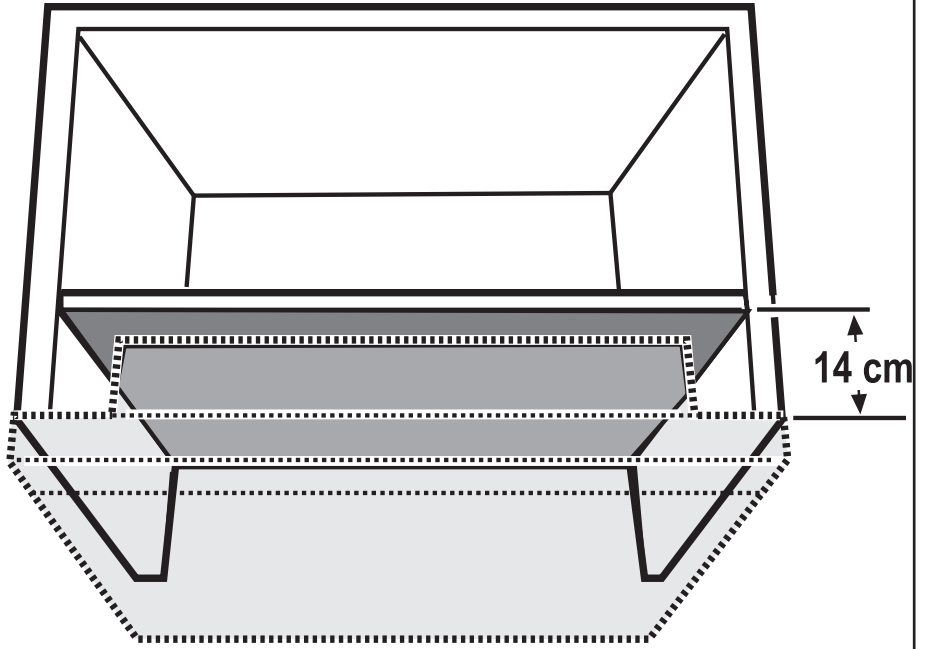
- a. Light **ON/OFF** switch
- b. **OFF/speed 1** selector switch
- c. Speed **2** selector switch
- d. Speed **3** selector switch

OFF!

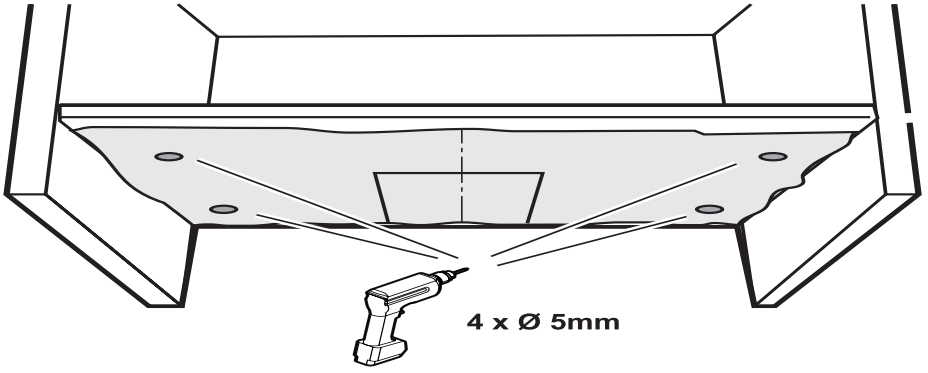


ON!

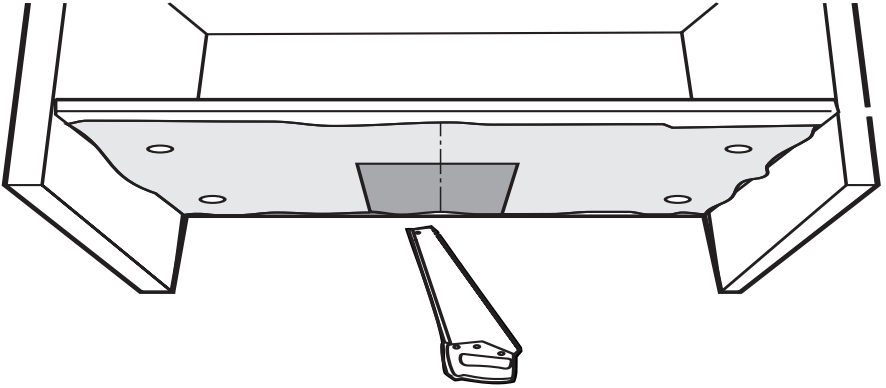




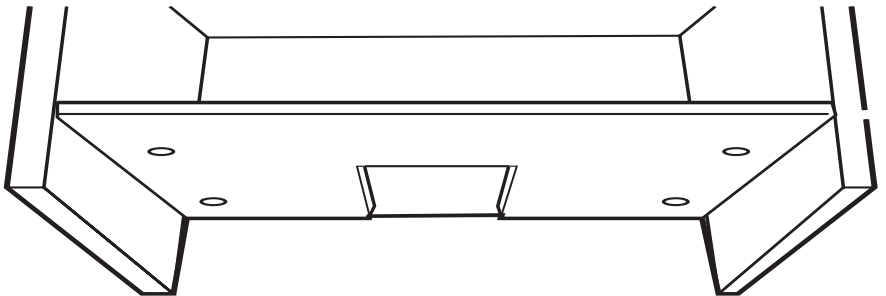
1



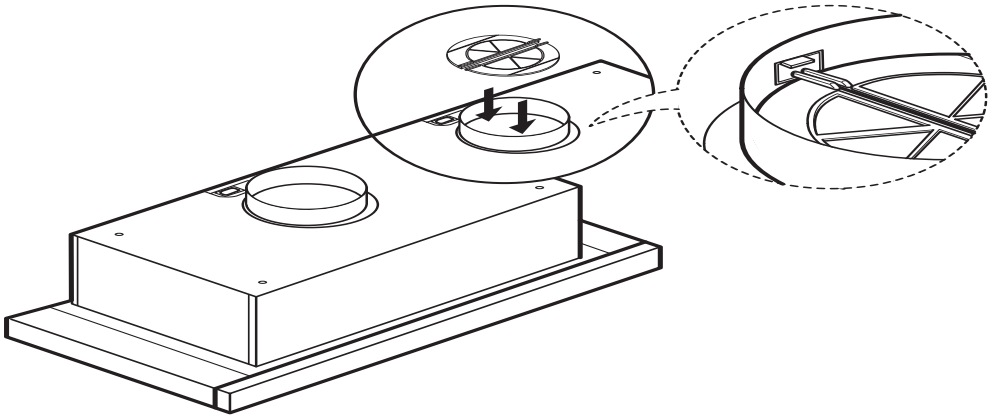
2



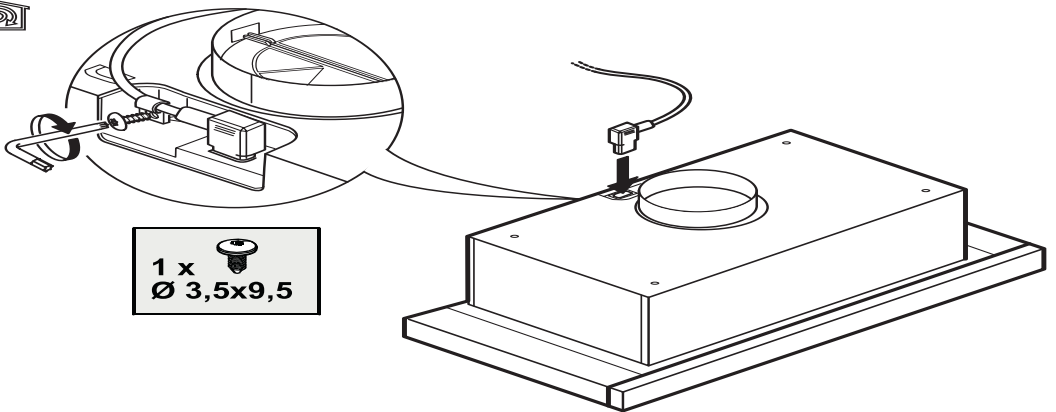
3



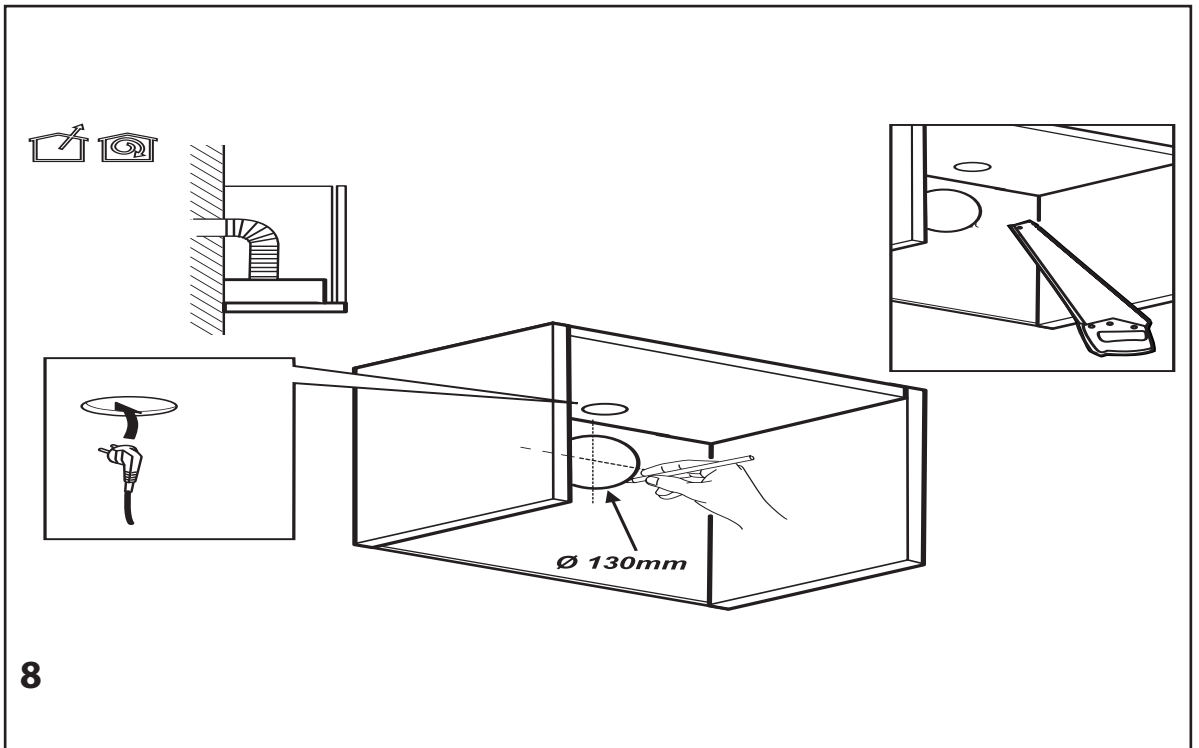
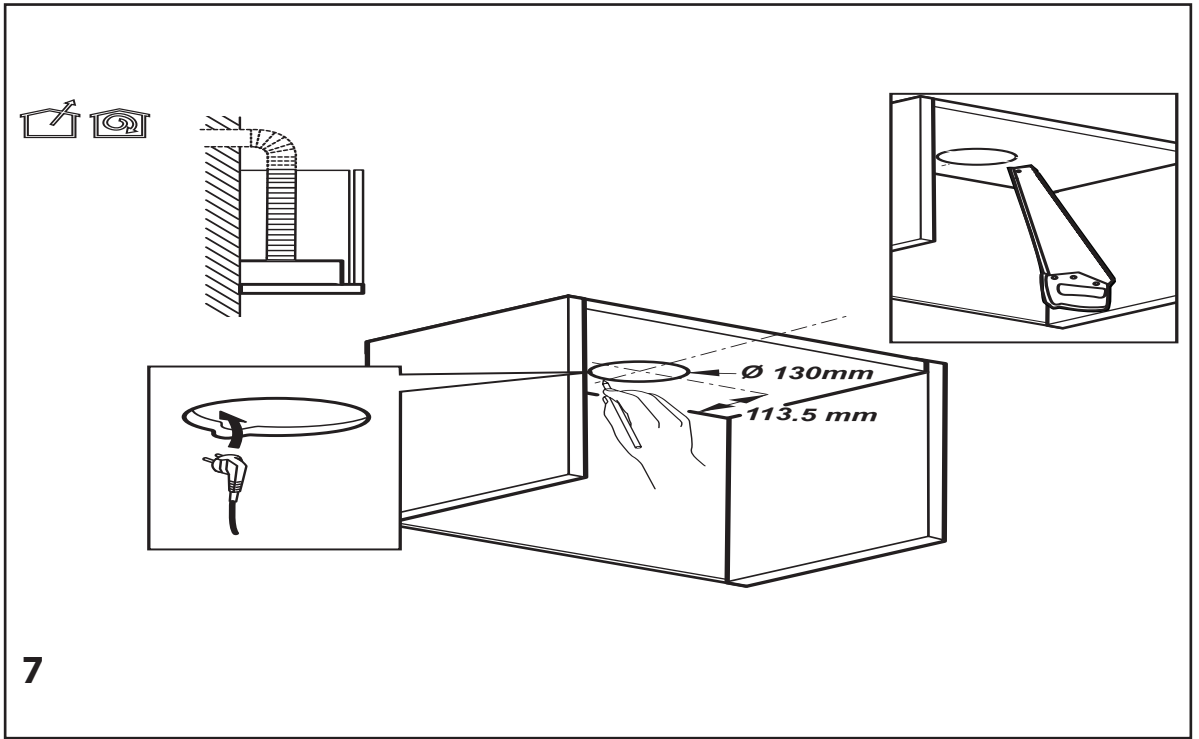
4



5

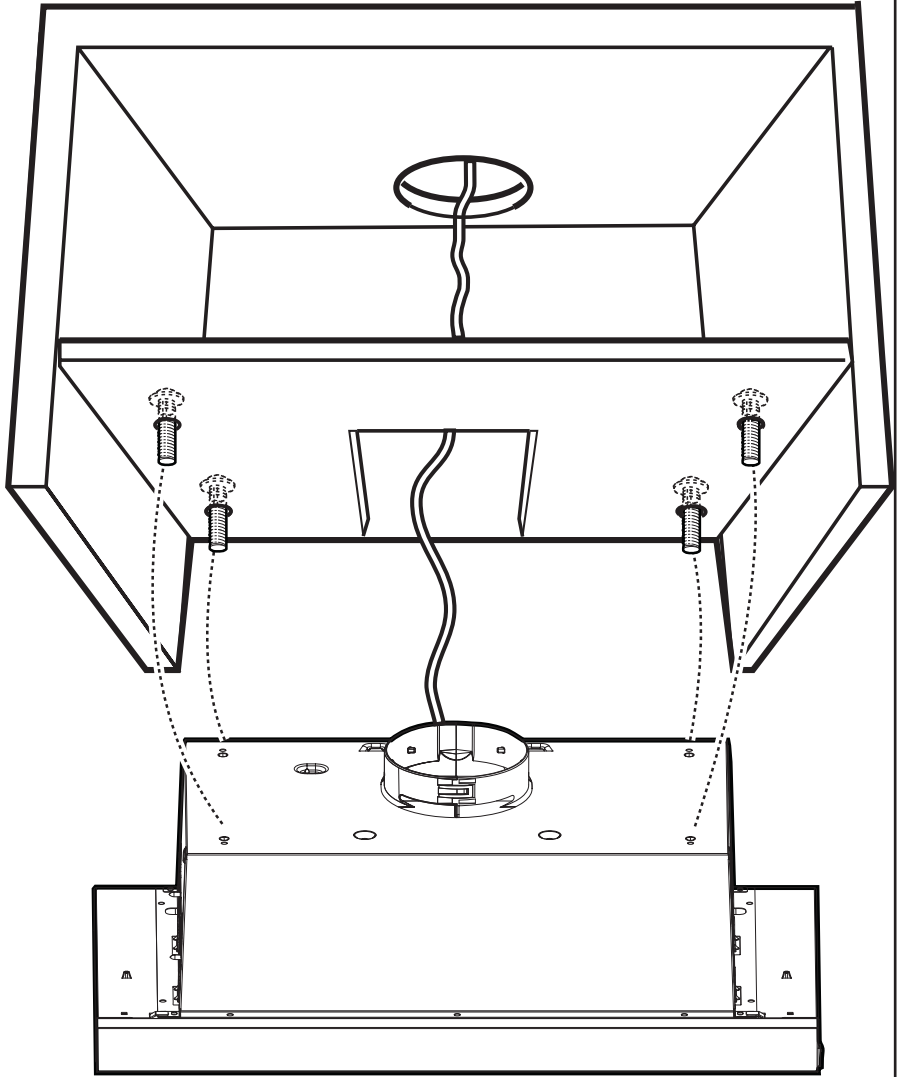


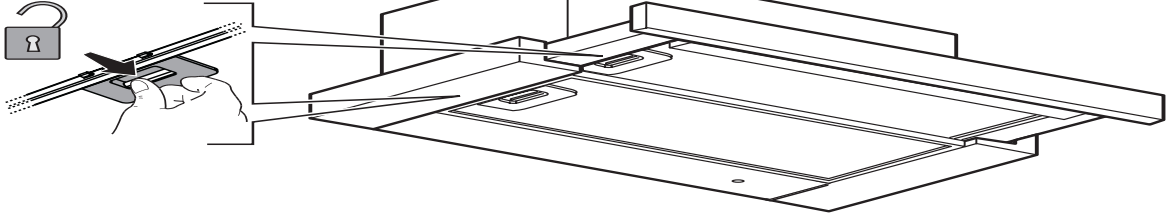
6





4x Ø 4,2x35

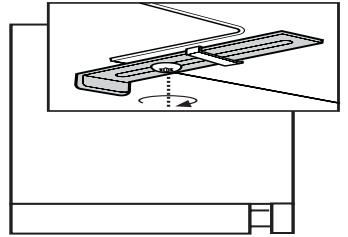
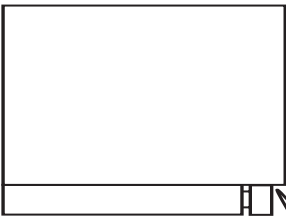
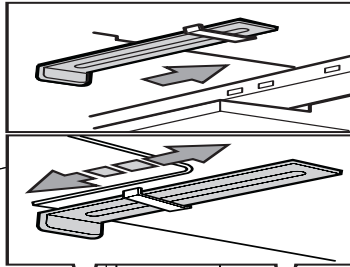




10

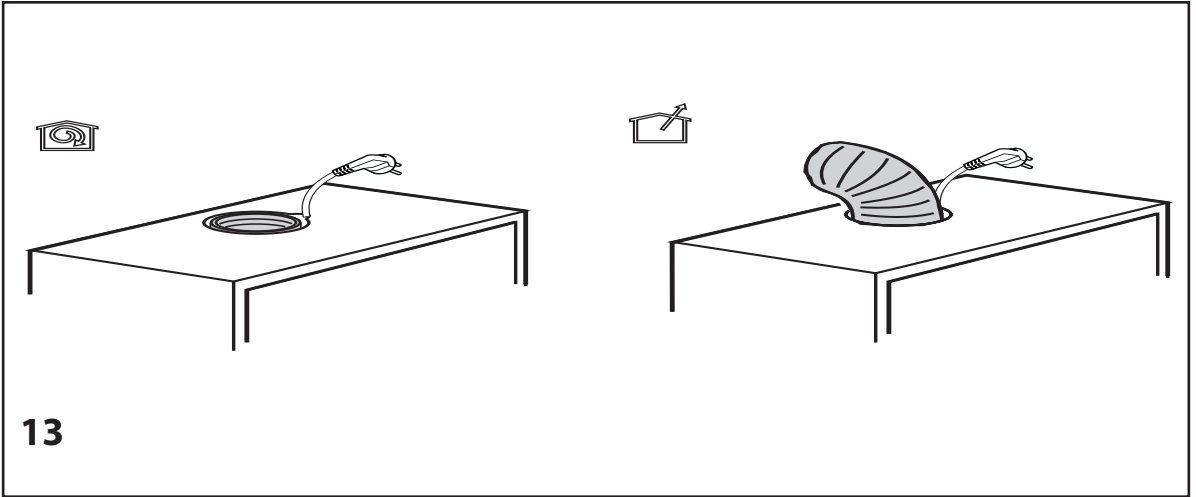
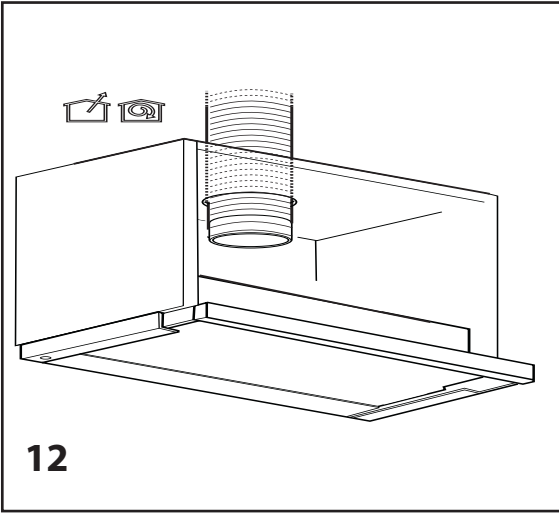


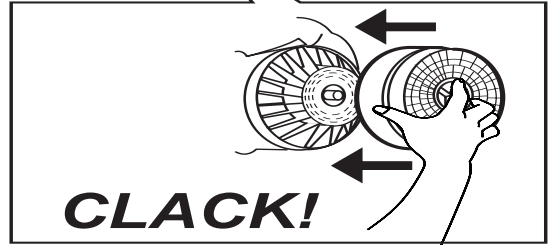
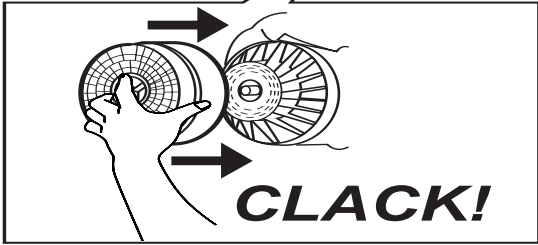
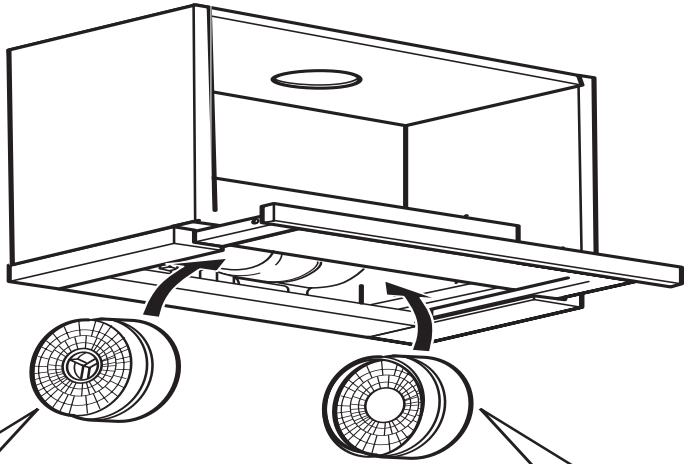
2 x
Ø 3,5x9,5



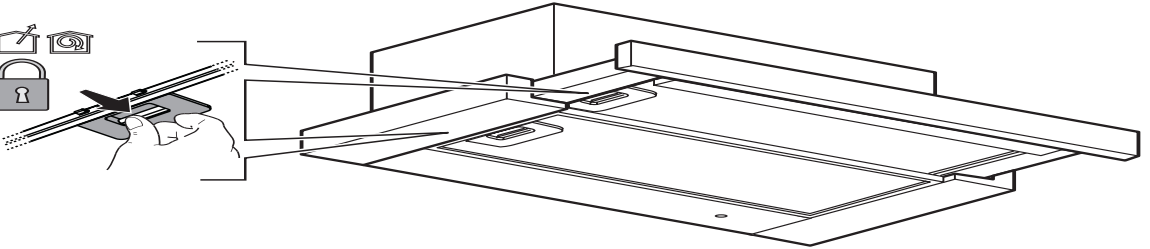
OK!

11





14



15



400011245614



Printed in Italy
04/2018

